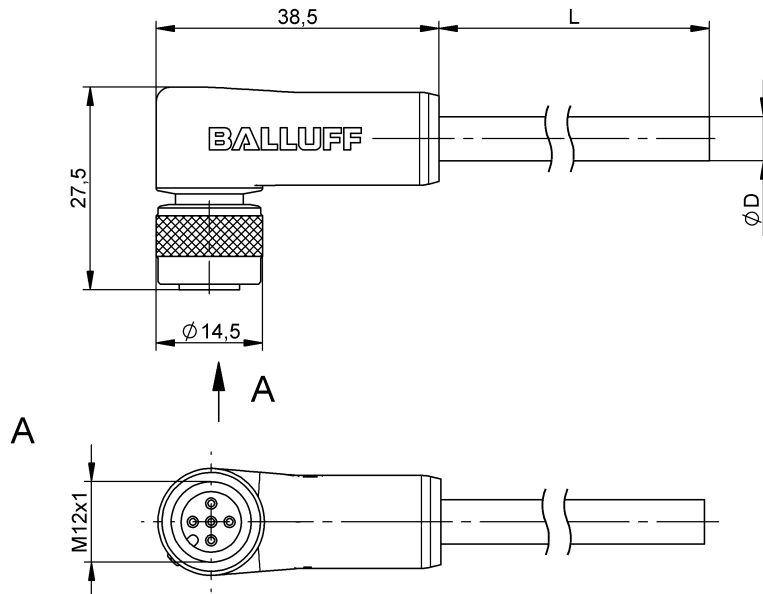


Single-Ended Cordsets  
**BCC W425-0000-1A-003-TW0434-250**  
**Order Code: BCC0FY7**

# BALLUFF



### Basic features

Application	Welding area
Approval/Conformity	CE cULus WEEE

### Electrical connection

Bending radius min., fixed cable	7.5 x D
Bending radius min., flexible cable	15 x D
Cable	FEP welding spark resistant black, 25 m
Cable diameter D	4.10 mm ±0.30 mm
Conductor cross-section	0.34 mm <sup>2</sup>
Connection	M12x1-Female, angled, 5-pin, A-coded
Connector configuration	right-angle
Number of conductors	4
Number of pins	5
System	Molded

### Electrical data

Operating voltage $U_b$	250 VDC / 250 VAC
Rated current (40 °C)	4.0 A

### Remarks

Cable construction acc. to UL-AWM Style 2749  
 Maximum temperature at outer jacket from weld spatter/beads short-time 800°C.  
 Flame-retarding  
 Enclosure rating per IEC 60529, only in screwed state with the associated mating piece.

### Environmental conditions

Cable temperature, fixed routing	-100...200 °C
Connector 01, temperature max.	100 °C
IP rating	IP65

### Interface

Switching output	Complementary
------------------	---------------

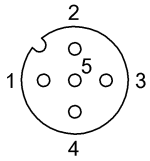
### Material

Cable jacket material, note	welding spark resistant
Cable jacket, material	FEP
Material contact carrier	PUR, special
Material contacts	Bronze
Material cover nut	Brass PTFE coated
Material grip	PUR, special

### Mechanical data

Cable jacket, color	black
Cable length L	25.00 m
Tightening torque pigtail	0.6 Nm

## Connector Drawings



- PIN 1: brown
- PIN 2: white
- PIN 3: blue
- PIN 4: black

## Wiring Diagrams

